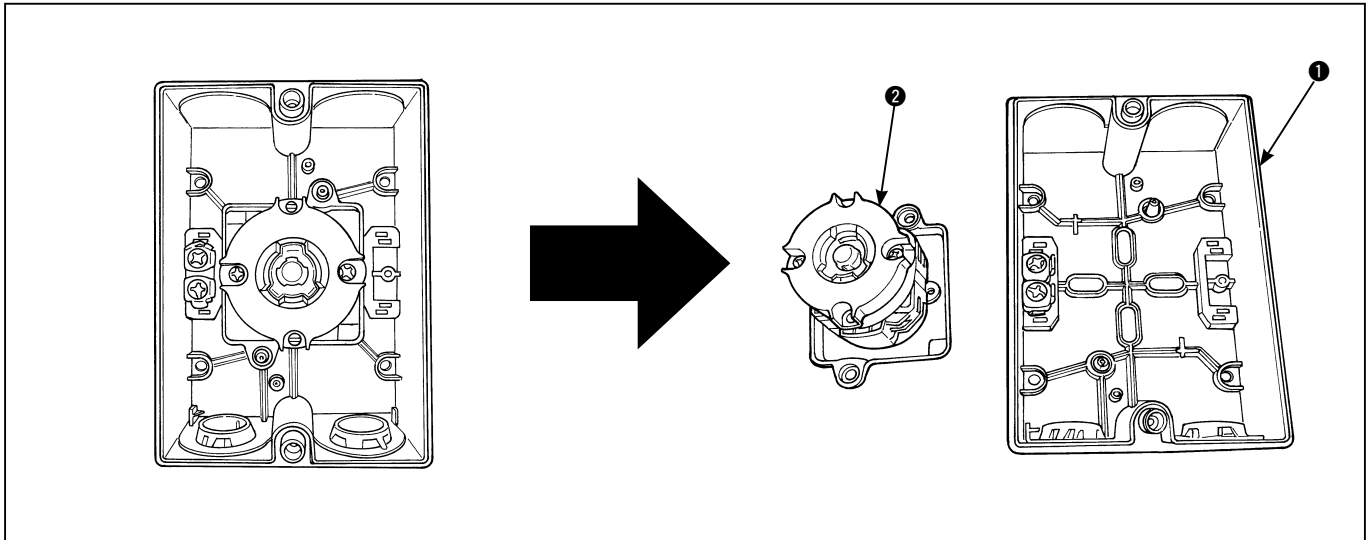


# POWER SWITCH WIRING INSTRUCTIONS / 电源开关配线说明书

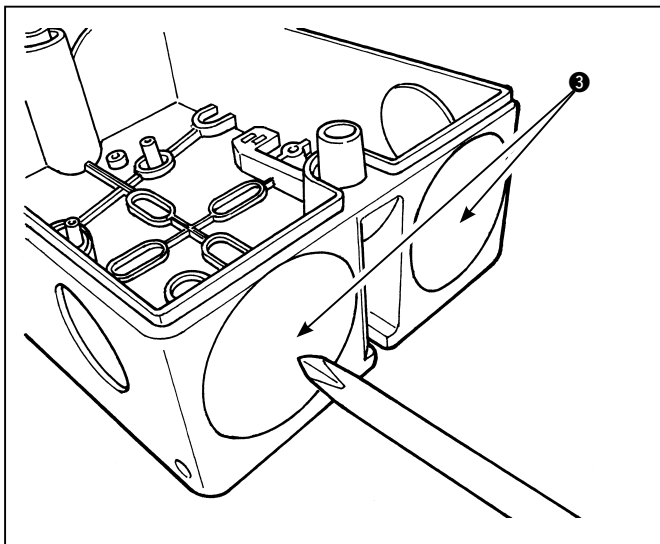
**No.00**  
**40113520**

## Connecting the power cable / 电源电缆线的连接



1) Take out main body ② of switch from switch case ①.

1) 从开关箱 ① 上卸下开关主体 ②。



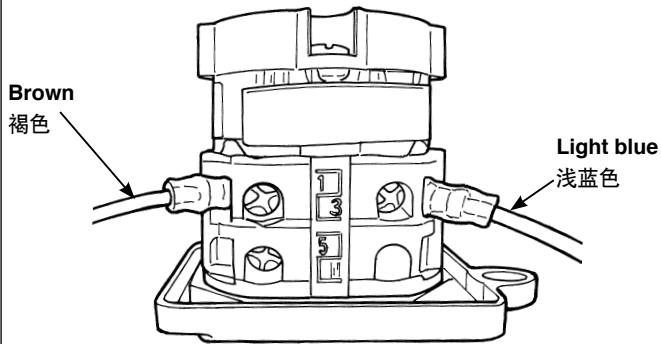
2) Make two holes, with a sharp instrument, in the center of grommet ③ located the lower part of the switch case.

\* Be careful not to prick your hand on the sharp instrument when making the holes.

2) 有关开关箱下部的蒙蔽嵌管 ③，用带尖的东西一扎蒙蔽嵌管的中心就可以开孔。(2处)

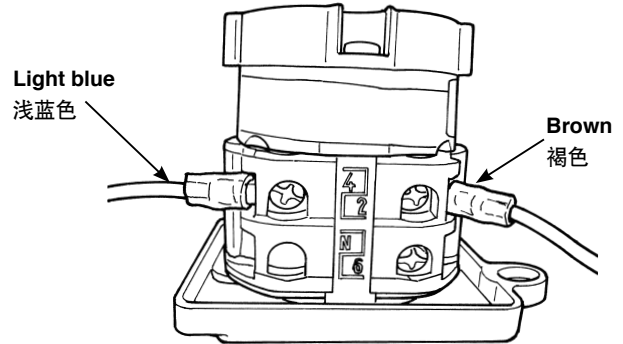
※ 开孔时，请注意不要扎到手。

Cable coming from the control box / 从电气箱连接出来的电缆



**Brown:** Switch terminal 1 / 褐色 : 开关端子 1  
**Light blue:** Switch terminal 3 / 浅蓝色 : 开关端子 3

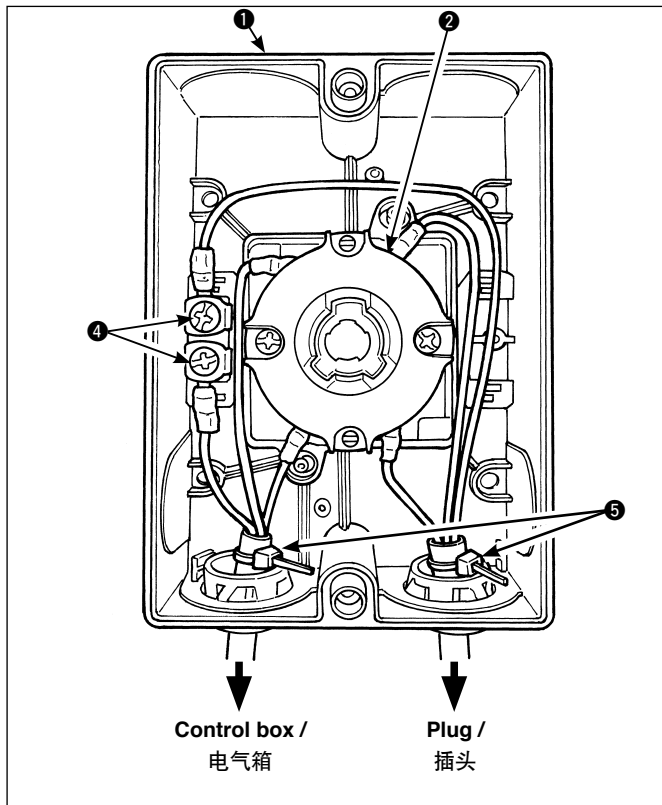
Cable coming from the plug / 从插头连接出来的电缆



**Brown:** Switch terminal 2 / 褐色 : 开关端子 2  
**Light blue:** Switch terminal 4 / 浅蓝色 : 开关端子 4

3) Connect the cable coming from the control box and the one coming from the plug to main body ② of the switch as shown in the figure.

3) 如图所示那样，把从电气箱和插头连接过来的电缆连接到开关主体 ② 上。



4) Connect the cables (green/yellow) coming from the control box and coming from the plug to grounding terminal ④ of the switch case as shown in the figure at left.

Install main body ② of the switch to case ①.

(The main body of the switch cannot be installed to the case if it is oriented upside down.)

Attach two cable clip bands ⑤ supplied with the unit as illustrated in the figure.

4) 如左图所示那样，请把从电气箱和插头连接过来的地线（绿 / 黄）连接到开关箱的地线端子 ④ 上。

把开关主体 ② 安装到开关箱 ① 上。

（安装时请注意不要把开关主体的安装方向上下颠倒。）

如图所示那样安装附属的扎线带 ⑤。（2 处）

**JUKI**®

**JUKI CORPORATION**

SEWING MACHINERY BUSINESS UNIT

2-11-1, TSURUMAKI, TAMA-SHI,

TOKYO, 206-8551, JAPAN

PHONE : (81)42-357-2371

FAX : (81)42-357-2380

http://www.juki.com

Copyright © 2011 JUKI CORPORATION

• All rights reserved throughout the world.

• 版权所有，严禁擅自转载、翻印本书的内容。

Please do not hesitate to contact our distributors or agents in your area for further information when necessary.

\* The description covered in this instruction manual is subject to change for improvement of the commodity without notice.

对本产品如有不明之处，请向代理店或本公司营业部门询问。

※ 本使用说明书中的规格因改良而发生变更，请订货时确认。